

DOVER / CALAIS

Instruction Book



Lacunza congratulates you on your choice.
Certified under ISO 9001, Lacunza guarantees the quality of its appliances and undertakes to meet the needs of its customers.

Confident of the know-how afforded by more than 50 years' experience, Lacunza uses advanced technologies in the design and manufacture of its entire range of appliances. This document will help you install and use your appliance in optimum conditions for your comfort and safety.

CONTENTS

1. PRESENTATION OF THE APPLIANCE	3
1.1. General characteristics	3
1.2. Safety distances	6
2. INSTRUCTIONS FOR THE INSTALLER.....	7
2.1. Warning to installers	7
2.2. Room for installation.....	7
2.2.1. Ventilation of the room.....	7
2.2.2. Location of the appliance in the room.....	8
2.3. Installation of the appliance.....	8
2.3.1. Floor.....	8
2.3.2. Checks before lighting for the first time.....	8
2.3.3. Height adjustment and levelling the appliance.....	8
2.3.4. Connection to the flue.....	8
2.3.5. Turbine-potentiometer connection.....	8
2.4. Chimney flue.....	9
2.4.1. Type of flue.....	9
2.4.2. Chimney crown.....	9
3. TRUCTIONS OF USE	11
3.1. Fuel.....	11
3.2. Description of the parts of the appliance	12
3.2.1. Operating components.....	12
3.3. Lighting.....	13
3.4. Safety.....	13
3.5. Loading fuel.....	13
3.6. Operation.....	13
3.7. Removing ash.....	14
3.8. Deflectors.....	14
3.9. Electrical system	15
4. MAINTENANCE AND IMPORTANT ADVICE.....	16
4.1. Maintenance of the appliance.....	16
4.1.1. Firebox	16



4.1.2. Inside the appliance	16
4.1.3. Flue socket	16
4.1.4. Painted sheet-steel-cast-iron parts.....	16
4.1.5. Firebox glass.....	16
4.2. Maintenance of the chimney flue.....	17
4.3. Important advice.....	17
5. TROUBLESHOOTING.....	18
6. BASIC BREAKDOWNS	19
6.1. Basic breakdowns DOVER	19
6.2. Basic breakdowns CALAIS	21
7. PRODUCT RECYCLING.....	23
8. DECLARATION OF PERFORMANCE	24
9. CE MARK.....	29

1. PRESENTATION OF THE APPLIANCE

For optimum operation of the appliance, we advise you to read this manual carefully before switching on the appliance for the first time. In case of problems or concerns, we urge you to contact your dealer, who will cooperate with you.

In order to improve the product, the manufacturer reserves the right to make changes without notice by updating this document.

This appliance is designed to burn wood in absolutely safe conditions.

WARNING: Faulty installation may have serious consequences.

Installation and all necessary regular maintenance operations must be performed by an authorized installer in full accordance with the specifications set out in the legislation applicable in each country and this instruction book.

1.1. General characteristics

	Unit	DOVER	CALAIS	
Operating appliance	-	Intermittent		
Appliance classification	-	Tipo BE		
Preferred fuel	-	Wood logs (Humidity<25%)		
Indirect heating functionality	-	NO		
Values at Nominal Output	Nominal output to atmosphere (Direct) (P_{num})	kW	13	6.4
	Efficiency at P_{num} (η_{num})	%	83	81
	CO emission at 13% O ₂ at P_{num} (CO_{num})	mg/m ³	622	1124
	NO _x emission at 13% O ₂ at P_{num} (NO_{xnum})	mg/m ³	125	122
	OGC emission at 13% O ₂ at P_{num} (OGC_{num})	mg/m ³	32	26
	PM emission at 13% O ₂ at P_{num} (PM_{num})	mg/m ³	29	6
	Optimum flue draught at P_{num} (p_{num})	Pa	12	12
	Gas temperature of flue at P_{num} (T_{num})	°C	251	251
	Gas temperature on the flue socket flange at P_{nom}	°C	281	301
	Log load frequency at P_{nom}	min	60	40
	Gas mass flow at P_{num}	g/s	9.8	5.7
	Wood consumption (beech) at P_{nom}	kg/h	3.7	1.8
Chimney temperature class	-	T400		
Dimensions of the firebox				
Width	mm	410	410	
Depth	mm	300	300	
Useful height	mm	500	500	
Maximum length of the logs	cm	40	40	
Volume heated (45W/m ³) at P_{nom}	m ³	289	142	
Weight	kg	100	155	
Flue socket diameter (d_{out})	mm	150	150	
Voltage (AC)	V	230	230	
Frequency	Hz	50	50	
Maximum electricity consumption (e_{max})	kW	0.048	0.048	

Minimum electricity consumption (e_{lmin})	kW	0	0
Auxiliary electricity consumption in standby mode (e_{lsb})	kW	0	0
Type of heat output/room temperature control	Single stage heat output, no room temperature control		
Energy efficiency class	-	A+	A+
Energy efficiency index (EEI)	-	110	107
Seasonal Energy Efficiency of space heating (η_s)	%	73	71

Note: The values indicated in the above table are based on tests performed in accordance with UNE-EN 13240, EN 16510 with logs with no more than 18% humidity and pressure conditions as indicated in each case.

Warning: this appliance is designed and prepared to work with the types of fuel, degree of humidity of the fuel, fuel loads, fuel load frequencies, flue draught and system of installation indicated in this Instruction Book. Failure to respect these conditions may lead to problems with the appliance (deterioration, shorter useful life, etc.) which are not covered by the Lacunza warranty.

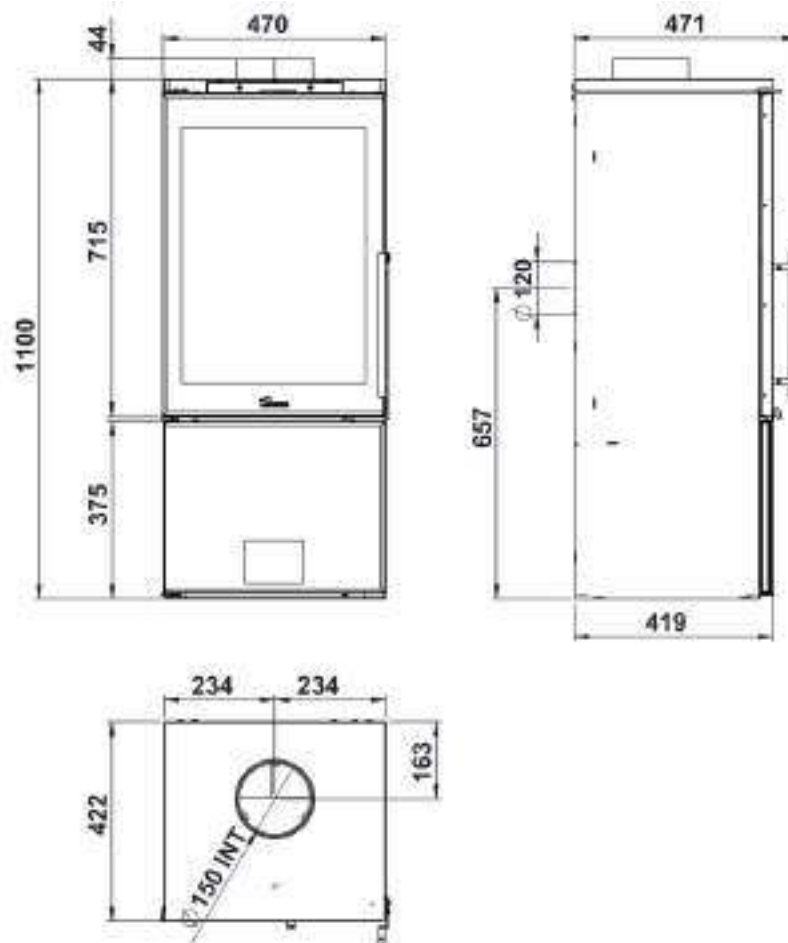


Figure No.1- Dimensions of the Door

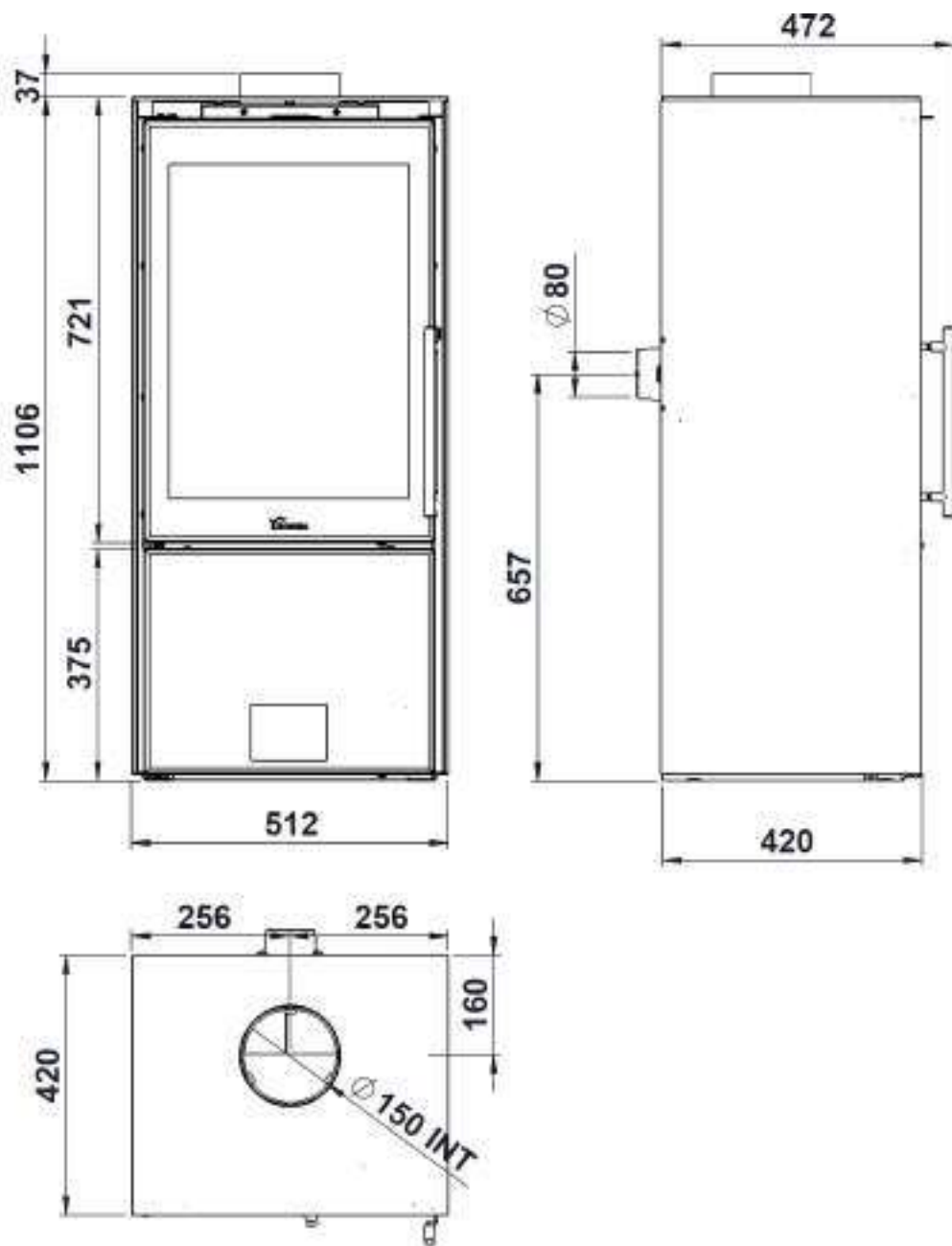
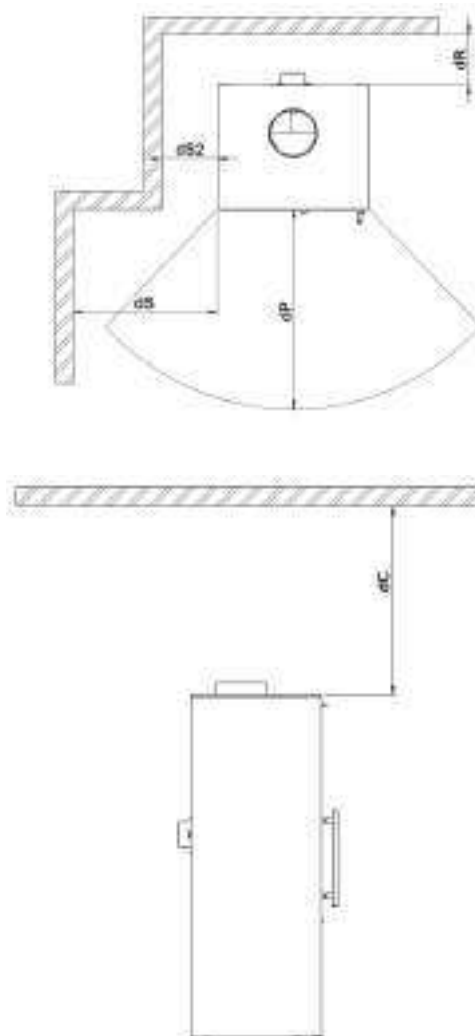


Figure No.2 - Dimensions of the Calais

1.2. Safety distances

Be sure to respect the appliance installation distances from **combustible materials**.




Combustible
materials

	DOVER	CALAIS
dR (mm)	300	150
dS (mm)	400	350
dP (mm)	1100	1500
dC (mm)	-	600
dS2 (mm)	-	150

Bear in mind that it may even be necessary to protect non-combustible material in order to prevent breakage, deformation, etc., as a result of overheating if the non-combustible material is not designed to withstand high temperatures.

2. INSTRUCTIONS FOR THE INSTALLER

2.1. Warning to installers

All local and national regulations, including all those referring to national and European standards, must be observed when installing the appliance.

Installation of the appliance must be performed by an authorised installer.

An incorrectly installed appliance may lead to serious incidents (fires, creation of harmful gases, deterioration of nearby fixtures, etc.).

Lacunza's liability is limited to the supply of the material and does not include installation of the appliance.

2.2. Room for installation

2.2.1. Ventilation of the room

The appliance needs to consume oxygen (air) in order to work properly. Ensure a suitable air supply in the room in which the appliance is fitted. This quantity of oxygen is additional to the oxygen that we need in order to breathe (air renewal).

In order to ensure the high quality of the air you breathe and to avoid potential accidents resulting from high concentrations of the gases produced by combustion (mainly carbon dioxide and carbon monoxide), it is absolutely crucial to ensure the suitable renewal of the air in the room in which the appliance is fitted.

the room must always have at least two permanent grilles or openings to the exterior in order to renew the air (one for intake and the other for extraction).

For the installation of its appliances, Lacunza recommends an additional section for these openings. One of these two grilles must be situated high up in the room (at less than 30 cm from the ceiling)

and the other one low down (at less than 30 cm from the floor). Both grilles must open outdoors in order to renew the air in the room with fresh air.

The air inlet grilles must be positioned so that they cannot be blocked or closed accidentally.

The minimum section that each of these grilles must have depends on the nominal output of the appliance in accordance with the following table:

Output of the appliance (kW)	Minimum additional section of each of the grilles (cm ²)
$P \leq 10$ kW	70
$10 < P \leq 15$	90
$15 < P \leq 20$	120
$20 < P \leq 25$	150
$25 < P \leq 30$	180
$30 < P \leq 35$	210
$P > 35$	240

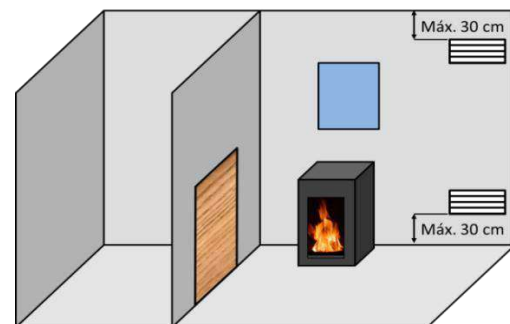


Figure No.3 - Guideline indications for ventilation grilles

In the case of appliances on which it is possible to pipe combustion air in from outdoors (appliances type BE, BF, CA, CM y CC), the specifications described in the table above are not necessary.

The appliance must always be used with the door closed.

In rooms equipped with Controlled Mechanical Ventilation, the system extracts and renews the ambient air; in such cases, the room is at slightly low pressure and it is necessary to install a non-closable outside-air inlet with a section of at least 90 cm².

2.2.2. Location of the appliance in the room

Choose a location in the room which favours good hot-air distribution by convection and radiation.

2.3. Installation of the appliance

2.3.1. Floor

Make sure that the base can withstand the total constructed weight of the appliance and its casing.

The apparatus should not be placed on combustible material.

2.3.2. Checks before lighting for the first time

- Make sure that the glass/es is/are not broken or damaged.
- Make sure that the flueway is not obstructed with packing or loose parts.
- Check the deflectors are correctly positioned.
- Make sure that the airtight joints on the flue circuit are in perfect condition.
- Make sure that the doors close properly.
- Make sure that all moving parts are fitted in place.

2.3.3. Height adjustment and levelling the appliance

The appliance must be perfectly level, horizontally and vertically, both at the front and on the sides (use a spirit level).

2.3.4. Connection to the flue

The appliance must be connected to the chimney flue using special piping designed to resist the products of combustion (e.g. stainless steel, enamelled steel, etc.).

To connect the flue to the socket flange, insert the piping inside the flange and seal the joint with fire sealant or fire cement to make it completely airtight.

The installer must ensure that the pipe connected to the appliance is well secured and there is no chance of it coming free from its housing (e.g. as a result of dilatation due to temperature, etc.).

2.3.5. Turbine-potentiometer connection

These are the connection instructions in order to control the ventilator system using the supplied potentiometer.

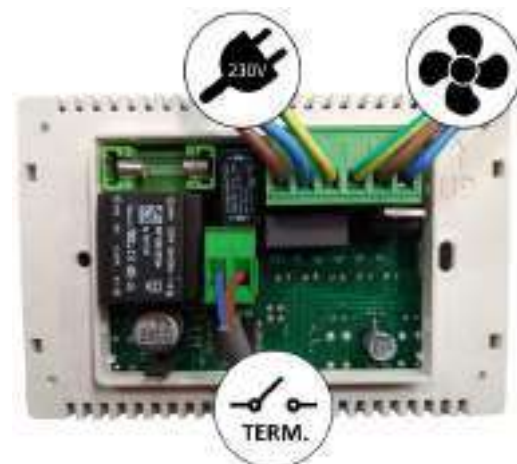


Figure No.1 - Connections to be carried out in the potentiometer

WARNING: the operating temperature of the potentiometer supplied by Lacunza is from 0 to 40°C. Particular care should be taken when choosing where it will be positioned so that it is not damaged by temperatures above 40°C. Insulate the potentiometer correctly so as to avoid this problem.

Read the potentiometer instruction manual.

2.4. Chimney flue

The chimney flue must comply with present standards on the installation of chimneys.

In rooms equipped with Controlled Mechanical Ventilation, the ventilation outlet must never be connected to the flue.

The appliance must always have its own chimney flue, never sharing a chimney flue with another appliance.

2.4.1. Type of flue

The flue must be made of special material designed to resist the products of combustion (e.g. stainless steel, enamelled steel, etc.).

Non-central-heating appliances (without back boiler) require an insulated, double-sleeve flue only on those sections that run outdoors or through cold areas. Single piping can be used inside the building, the heat of the gases serving to heat rooms, insulating only those sections where excess temperature may cause damage.

If the chimney is constructed, then it is necessary to pipe and insulate it to ensure correct updraught.

The diameter of the pipe must be the same as the diameter of the flue socket on the appliance over its entire length in order to ensure correct operation.

The flue must prevent the entry of rainwater.

The flue must be clean and airtight over its entire length.

The flue must be at least 6m tall and the chimney cap must not hinder the free release of gases.

If the flue tends to suffer from downdraught, then it is necessary to fit an effective anti-downdraught cowl, a static cowl or a smoke extraction fan, or reshape the chimney.

Never make 90° bends due to the great loss of draught they cause, and reduce 45° bends down to an absolute minimum. Each 45° bend is equivalent to a 0.5m reduction in flue length. Horizontal flue sections should not be installed because they cut updraught a great deal.

The appliance is designed to operate under controlled draught conditions. The appliance must operate at a chimney draught of between 12Pa and 15Pa. To ensure this draught, an automatic draught moderator must be installed in the flue. Uncontrolled draught operation can lead to quick damage of the appliance, which will not be covered by the warranty.

The flue must not rest its weight on the appliance, as this could damage the worktop.

Bear in mind that high temperatures may be reached in the flue, meaning that it is essential that insulation be enhanced in sections in which combustible material is present (wooden beams, furniture, etc.). It may even be necessary to protect non-combustible material in order to prevent breakage, deformation, etc., as a result of overheating if the material is not designed to withstand high temperatures.

It must be possible to clean the entire flue, no sections being left inaccessible for cleaning purposes.

2.4.2. Chimney crown

The upper end of the chimney must clear the roof, the roof ridge or any obstacle located on the roof by at least 1m.

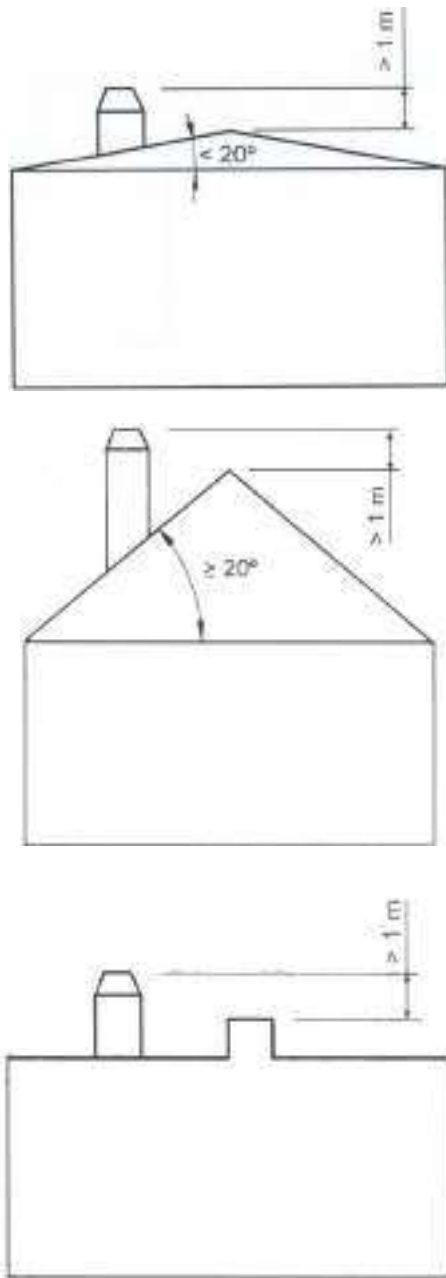


Figure No.2 - Distances between chimney crown and roof ridge

The chimney crown must clear the highest point of any neighbouring building or obstacle located within a 10m radius of the chimney outlet by more than 1m.

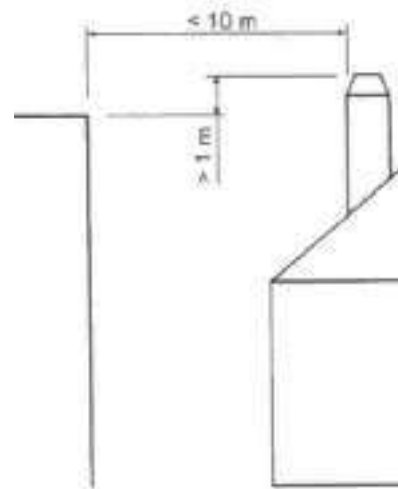


Figure No.3 - Distances between the chimney crown and objects within a 10m radius

The chimney crown must clear any neighbouring building or obstacle located within a radius of 10m to 20m from the chimney outlet.

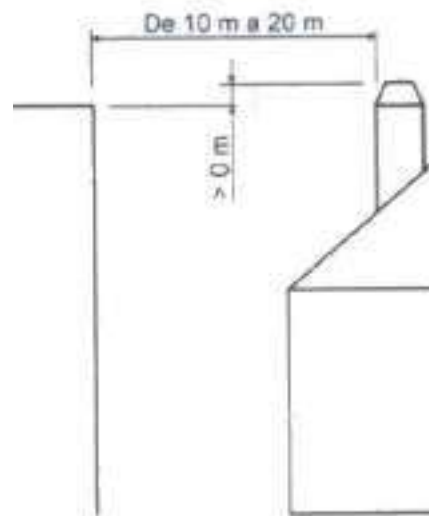


Figure No.4 - Distances between the chimney crown and objects within a radius of between 10 and 20m

3. TRUCTIONS OF USE

The manufacturer accepts no liability whatsoever for damage caused to parts as a result of the improper use of non-recommended fuels, modifications made to the appliance or how it is installed. **Only use original replacement parts.**

All local and national regulations, including those referring to national and European standards, must be observed when using the appliance.

Heat is diffused by radiation and convection via the front and exterior of the appliance.

3.1. Fuel

This appliance must not be used as an incinerator. Do not use non-recommended fuels.

- Use dry logs (max. 16% humidity), cut at least 2 years ago, clean of resin and stored in a sheltered, ventilated place.
- Use hard woods with high calorie values and good ember production.
- Large logs should be cut to useable lengths before being stored. The logs should have a maximum diameter of 150mm.
- Finely-chopped wood produces greater heat output, but also burns more quickly.

Optimum fuels:

- Beech.

Other fuels:

- Oak, chestnut, ash, maple, birch, elm, etc.
- Pine and eucalyptus logs are low density and produce very long flames, and may cause the parts of the appliance to wear out more quickly than normal.

- Resinous wood may mean that the appliance and the flue need to be cleaned more often.

Non-permitted fuels:

- All types of coal and liquid fuel.
- "Green wood". Green or damp wood reduces the performance of the appliance and leads to soot and tar build-up on the inner walls of the flue, obstructing it.
- "Recovered wood". The burning of treated woods (railway sleepers, telegraph posts, plywood, fibreboard, pallets, etc.) quickly blocks the system (soot and tar build-up), harms the environment (pollution, smells) and may lead to deformation of the firebox due to overheating.
- All materials which are not wood (plastic, spray cans, etc.).
- Never use gasoline, gasoline-type lamp fuel, paraffin, charcoal lighter fluid, ethyl alcohol or similar liquids to ignite or rekindle a fire in the equipment. Keep all such liquids away from the equipment while it is in use.

Green and reprocessed wood may cause chimney fires.

The graph below shows how the humidity of firewood affects its heat output:

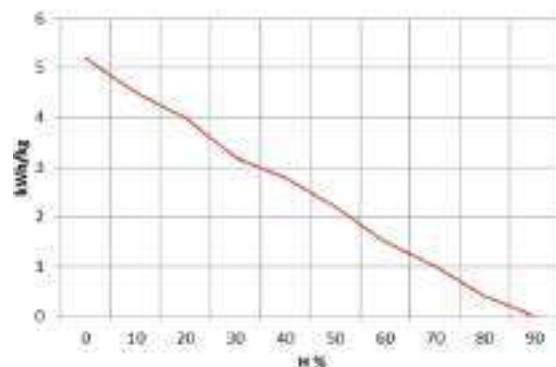


Figure No.5 - Relationship between firewood humidity and heat output.

3.2. Description of the parts of the appliance

3.2.1. Operating components

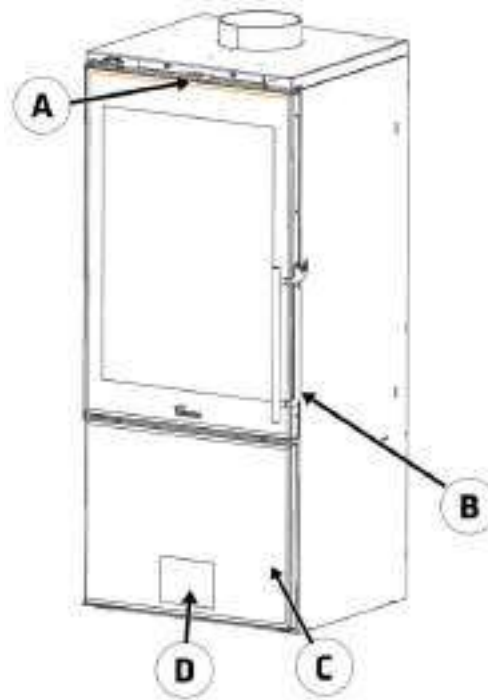


Figure No.6 - Operating components on the appliance

- A: Secondary air intake
 - A1 open (right)
 - A2 closed (left)
- B: Firebox door handle
- C: Handle of the lower door
- D: Potentiometer

3.3. Lighting

Use of the appliance in warm weather (warm days, early hours of the afternoon on sunny days) may lead to lighting and updraught problems.

Certain weather conditions, such as fog, ice, humidity entering the flue, etc., may hinder sufficient updraught in the flue and lead to suffocation.

Proceed as follows in order to light the appliance satisfactorily:

- Open the firebox door(s) and open all the firebox air-intake inlets to the full.
- Place paper or a firelighter and some wood chips in the firebox.
- Light the paper or firelighter.
- Leave the door slightly ajar, the width of two or three fingers, for about 15 minutes until the glass warms up.
- The first time the appliance is lit, the fire should be gentle to allow the parts of the appliance to dilate and dry.

Important: The first time it is lit up, the appliance may give off smoke and strange smells. This is not a cause for concern. Open an outdoor window to ventilate the room during the first few hours of operation.

If you notice water around the appliance, this is produced by the condensation of the moisture in the wood on lighting the fire. This condensation will no longer appear when the appliance has been lit three or four times and has adapted to its flue. If it does not disappear, then check the flue draught (length and diameter of the flue, flue insulation, airtightness) and the humidity of the wood used.

3.4. Safety

Do not store combustible materials beneath the appliance.

3.5. Loading fuel

In order to load firewood, open the firebox door gently, preventing the sudden entry of air to the firebox so that smoke does not enter the room that the appliance is installed in.

Perform this operation with the glove to prevent burns to the hands.

The maximum height of the load shall be approximately one third of the height of the firebox.

The minimum interval between loads for nominal heat output is 60 minutes.

Always load with the nominal amount (see table in section 1.1).

For minimum burning (e.g. at night), use thicker logs.

When the firebox is loaded, close the door.

Be careful when placing logs in the firebox on appliances with vermiculite interiors. Vermiculite is a fragile material and may crack if knocked. The use of wood with non-recommended humidity levels will quickly damage the vermiculite parts.

3.6. Operation

The appliance should be operated with the door closed.

For safety reasons, never close all the appliance's combustion-air intakes.

Secondary-air intake

By opening this inlet, air enters the firebox via the top of the firebox door.

IMPORTANT: Keeping the secondary-air intake open helps keep the door glass cleaner for longer.

Air intake

By opening this inlet, air enters the combustion flame, making for more efficient and less polluting combustion because post-combustion takes place, burning the particles which were not burned in the first combustion. This increases the performance of the appliance and reduces emissions.

IMPORTANT: The appliance is exposed to extreme changes in temperature and may, as a result, make noises when in operation. These noises are a natural result of expansion/contraction of the parts which make up the appliance. Do not be alarmed by noises of this kind.

In order to obtain maximum output, open all the air intake to the firebox and in order to obtain minimum output, tend towards closing them. For normal use, we recommend you leave the Secondary Intakes open 40%.

In class B or BE appliances (without combustion air ducting from the street), when the appliance is not in use, the appliance-flue duct assembly may represent a heat leakage route to the street. When the appliance is not in use, it is advisable to leave the air inlet registers to the combustion chamber closed to minimise these energy losses.

3.7. Removing ash

Following sustained use of the appliance, it is necessary to remove the ash from the firebox. Remove the ashpit box when cold or using something to prevent yourself from getting burned (glove).

Never throw hot embers into the rubbish.

Access the ashpit by opening the door on the appliance.

3.8. Deflectors

The appliance has vermiculite deflectors with a steel reinforcement that joins them together and another steel deflector above the vermiculite.

Dismantling the deflector

First extract the reinforcement. In order to do this, draw it towards the front of the appliance to release it from the vermiculite parts.





Figure No.7 - Extracting the vermiculite deflectors

The vermiculite deflectors can then be extracted as shown:

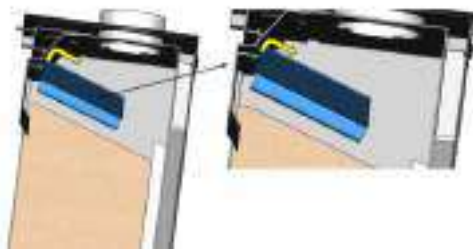


Figure No.8 - Turn and remove the upper Steel deflector

3.9. Electrical system

Forced convection. Fans

Dover models have 1 double fan for the forced convection of the hot air generated around the appliance inside the shell.

IMPORTANT: This appliance is not covered by our warranty unless directly connected to the mains electricity supply in accordance with the conditions described in the relevant section in 1.1.

Potentiometer operation:

By means of its rotating lever, the potentiometer controls the flow of hot-air output from the appliance in two ways:

- **Operation:**

The fan automatically or manually starts working at the set speed. When the fan is working automatically (recommended), when a fire has been lit in the firebox and the thermostat reaches a temperature of approximately 50°C, the fan starts working at the power set on the potentiometer (rotating wheel) and stops automatically when the temperature drops beneath 50°C.

In addition, we have the option of stopping the turbines from the Stop button, whenever we want.



The potentiometer has a remote control, which allows the same operations as the potentiometer.

The remote control of some TV brands may interfere with the potentiometer sensor and change its operation. To avoid possible interference, it is recommended to place the potentiometer in a place away from the TV.

For more information see the potentiometer instruction manual.

4. MAINTENANCE AND IMPORTANT ADVICE

4.1. Maintenance of the appliance

The appliance, the flue connector piping and the flue must be cleaned regularly, particularly following long periods without use.

4.1.1. Firebox

Clean the firebox area of ash, etc.

4.1.2. Inside the appliance

Clean the firebox area of ash. Clean the deflectors, where soot may build up.

4.1.3. Flue socket

The flue socket area must be kept clean at all times for the appliance to work properly.

It must be cleaned as often as required. How often it is cleaned depends on how much the appliance is used and the type of fuel employed.

4.1.4. Painted sheet-steel-cast-iron parts.

These parts should be cleaned with a brush or dry cloth. Do not dampen the parts: the steel could rust and the paint could blister and chip. Be particularly careful when cleaning the glass: the liquids used must not dampen the painted steel.

4.1.5. Firebox glass

To keep the glass as clean as possible for as long as possible, the secondary air register should be kept open. However, over the hours of use, the glass may become dirty. To clean it, we will use specific degreasing products or dry cleaning products for this task.

The cleaning should be carried out with the glass cold and taking care not to apply the glass cleaner directly on the glass as, if

it comes into contact with the door's closing cord, it may deteriorate. Put the cleaning product on the cloth.

Attention, never let the product drip into the lower part of the glass. The accumulation of the cleaning product, with soot or ash residues, can damage the screen printing on the glass.



Note: If we use the appliance in draught conditions higher than 15Pa or burn more wood (per hour) than those indicated in table 1.1, we will subject the appliance to working conditions higher than those designed for it. This can lead to aggressive fouling of the glass (white halo), which cannot be cleaned by the traditional method.

Caution, the vitro ceramic glass is prepared to support 700°C. Never let burning woods or combustion flame beating against the glass for prolonged periods of time. In this case, the glass would be submit to temperatures above 750°C, this could change the internal structure of the glass and make it opaque (irreversible phenomenon).

4.2. Maintenance of the chimney flue

VERY IMPORTANT: In order to avoid incidents (chimney fires, etc.), it is necessary to perform maintenance and cleaning operations on a regular basis; if the appliance is used often, then the chimney and the flue connector piping must be swept several times a year.

In the event of fire in the chimney, close the flue draught, close doors and windows, remove embers from the firebox, block the connection hole with damp cloths and call the fire brigade.

4.3. Important advice

Lacunza recommends that only Lacunza-authorized replacement parts be used.

Lacunza accepts no liability for any modification to the product which it has not authorized.






This appliance is a heat-producing appliance and contact may lead to burns.

This appliance may remain HOT for a period of time after it has gone out. MAKE SURE THAT SMALL CHILDREN DO NOT GO NEAR IT.

5. TROUBLESHOOTING

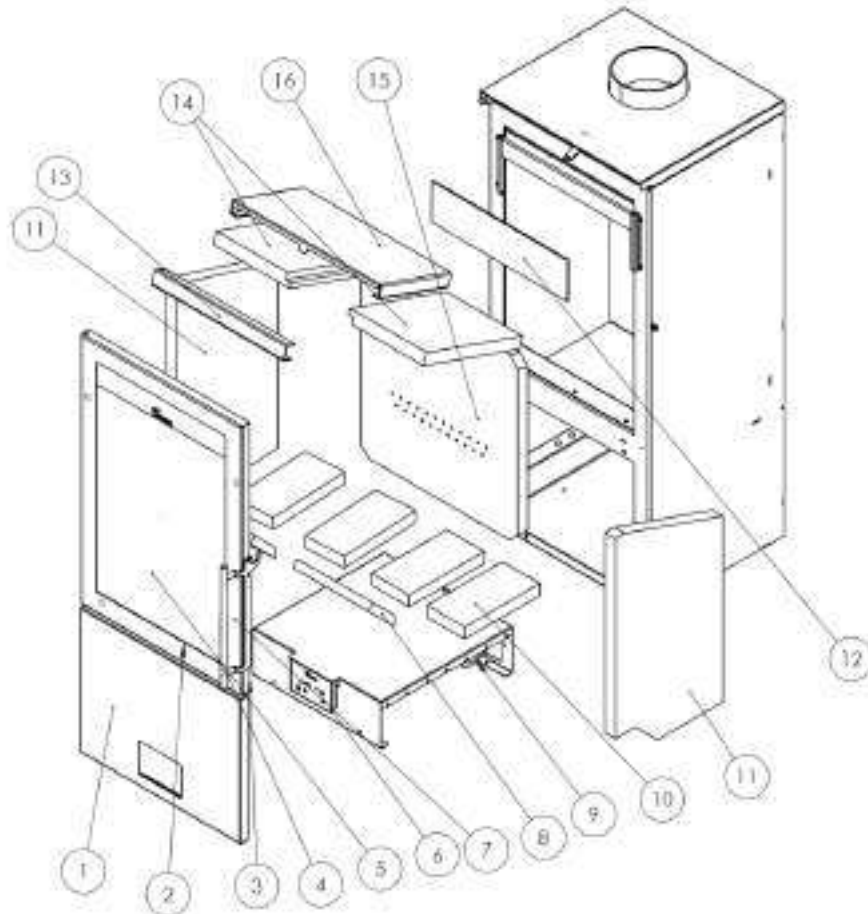


This symbol means that a qualified professional should be called to perform the operation.

Problem	Probable causes		Solution
The fire does not light properly The fire does not stay alight	Green or damp wood		Use hard woods, cut at least 2 years ago and stored in a sheltered, ventilated place
	The logs are too large		Use crumpled paper or firelighters and dry wood chips to light the fire. Use split logs to keep the fire going
	Poor-quality wood		Use hard woods which produce heat and embers (chestnut, ash, maple, birch, elm, beech, etc.)
	Insufficient primary air		Open the primary- and secondary-air intakes completely, or even open the door slightly. Open the outdoor-air inlet grille
	Insufficient updraught		Check that the draught is not blocked. De-soot if necessary. Check that the flue is in perfect condition (airtight, insulated, dry, etc.)
The fire flames up too much	Excessive primary air		Close the primary- and secondary-air intakes partially or totally
	Excessive updraught		Install a draught damper
Smoke given off on lighting	Poor-quality wood		Do not continually burn chips, carpentry scraps (plywood, pallets, etc.)
	Cold flue		Heat up the flue by burning a piece of paper in the firebox.
Smoke during burning	The room is at low pressure		In rooms with Controlled Mechanical Ventilation, leave an outdoor window ajar until the fire is fully alight.
	Too little wood loaded		Load as recommended. Loads notably smaller than those recommended lead to low smoke temperature and downdraught.
	Insufficient updraught		Check the condition of the flue and insulation. Check that the piping is not blocked. Clean mechanically if necessary
	Wind enters the flue		Install an anti-downdraught system (Cowl) at the top of the chimney
Does not warm up enough	The room is at low pressure		In rooms with Controlled Mechanical Ventilation, there must be an outdoor-air inlet
	Poor-quality wood		Only use the recommended fuel
Water condenses (after the appliance has been lit more than 3 or 4 times)	Too little wood loaded		Load as recommended. Loads notably smaller than those recommended lead to low smoke temperature and condensation.
	Green or damp wood		Use hard woods, cut at least 2 years ago and stored in a sheltered, ventilated place.
	Condition of the flue		Lengthen the flue (5-6 metres minimum). Insulate the flue properly. Check the airtightness of the flue/appliance.

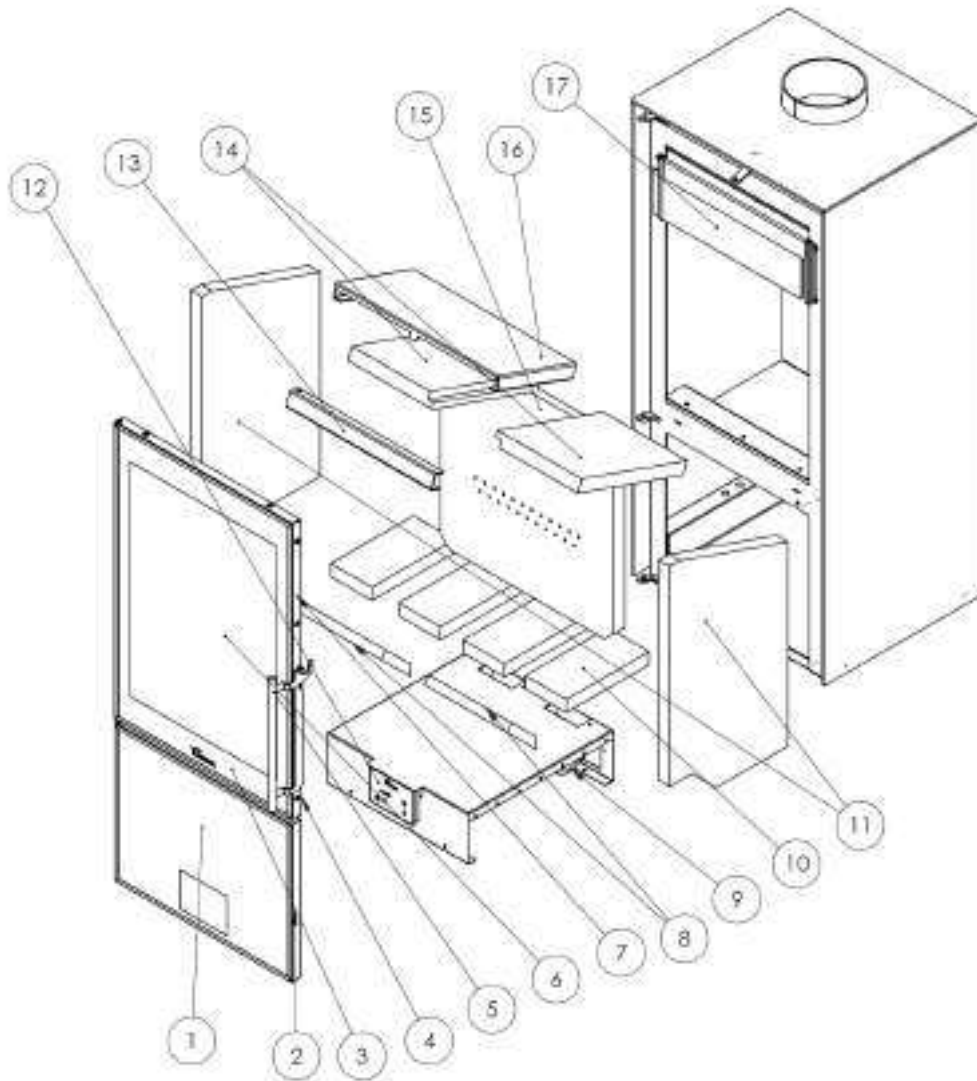
6. BASIC BREAKDOWNS

6.1. Basic breakdowns DOVER



	Referencia	Denominación	Cantidad
1	5021110004	Puerta cajón leñero Dover Completa	1
2	500000000510	Cordón plano pelos 8x2mm	3
3	509020000042	Cordón Negro Ø13mm	3
4	504000000067	Manilla Inox ITACA	1
5	504080000001	Iranzu cristal hogar	1
6	5040000928	Potenciómetro ELX AIR SC21	1
7	5021110008	Puerta hogar DOVER completa s/cristal	1
8	504080000008	Iranzu ladrillo refractario base biselado	2
9	5045500003	SIENA 800 Subc Ventilador DOBLE	1
10	502050000014	Levante base ladrillo 220x110x30	4
11	5021110005	Vermiculita lateral izdo dcho. Dover Calais	1
12	5021110007	Cristal salida de aire secundario CALAIS	1
13	5000000944	Refuerzo deflector	1
14	5021110006	Dover Calais Deflector vermiculita(unid)	2
15	5021110011	Vermiculita trasera Dover Calais	1
16	5040800434	Dover Calais Deflector superior	1

6.2. Basic breakdowns CALAIS



	Referencia	Denominación	Cantidad
1	5021110000	Cristal cajón leñero Calais C/JUNTA	1
2	5021110001	Puerta cajón leñero Calais Completa	1
3	500000000510	Cordón plano pelos 8x2mm	3
4	509020000042	Cordón Negro Ø13mm	3
5	504000000067	Manilla Inox ITACA	1
6	5021110002	Cristal puerta hogar Calais C/JUNTA	1
7	5021110003	Puerta hogar Calais completa s/cristal	1
8	504080000008	Iranzu ladrillo refractario base biselado	2
9	50455000003	SIENA 800 Subc Ventilador DOBLE	1
10	502050000014	Levante base ladrillo 220x110x30	4
11	5021110005	Vermiculita lateral dcho. Izdo. Dover Calais	1
12	5040000928	Potenciómetro ELX AIR SC21	1
13	5000000944	Refuerzo deflector	1
14	5021110006	Dover Calais Deflector vermiculita(unid)	2
15	5021110011	Vermiculita trasera Dover Calais	1
16	5040800434	Dover Calais Deflector superior	1
17	5021110007	Cristal salida de aire secundario CALAIS	1



7. PRODUCT RECYCLING

The recycling of the appliance is the exclusive responsibility of the owner, who must act in compliance with the laws in force in his country regarding safety, respect and protection of the environment. At the end of its useful life, the product must not be disposed of with urban waste.

It can be delivered to the specific selective collection centers set up by the municipalities, or to retailers who offer this service. The selective disposal of the product avoids possible negative consequences for the environment and for health and makes it possible to recover the materials of which it is composed, thus obtaining significant savings in terms of energy and resources.

It can be disassembled (the parts are assembled with screws or rivets) and the components can be deposited in their corresponding recycling channels. The components of the appliance are: steel, cast iron, glass, insulating materials, electrical material, etc.

8. DECLARATION OF PERFORMANCE



ES-S-050

DECLARACIÓN DE PRESTACIONES Conforme al R. E. Productos Construcción (UE) N° 305/2011

DÉCLARATION DE PERFORMANCE Selon le Règlement (UE) N° 305/2011

DICHIARAZIONE DI PRESTAZIONE In base al Regolamento (UE) N° 305/2011

DECLARATION OF PERFORMANCE According to Regulation (UE) N° 305/2011

DECLARAÇÃO DE PRESTAÇÕES Em base ao Regulamento (UE) N° 305/2011

LEISTUNGSERKLÄRUNG Gemäß R. E. Bauprodukte (EU) Nr. 305/2011

- Nombre y/o código de identificación única del producto:
 Nom-code d'identification unique du produit:
 Nome-codice identificativo unico del prodotto:
 Unique identifier name-code for product:
 Nome-código de identificação único do produto:
 Name und/oder eindeutiger Identifikationscode des Produkts:

 - Marca, marque, marca, mark, marca, markierung: LACUNZA
 - Tipo, type, tipo, type, tipo, nett: Estufa, Poêle, Stufa, Stove, Aquecedor, Holzofen
 - Modelo, modèle, modelo, model, modelo, modell: **DOVER**
2. **Uso o usos previstos del producto:** Estufa de carga manual, para quemar combustibles sólidos (Indicado en instrucciones), cuya función es calentar el espacio en el que está instalada.
Utilisation prévue du produit: Poêle qui se charge manuellement, conçu pour brûler des combustibles solides (indiqués dans le Manuel d'instructions), dont la fonction est de chauffer l'espace où il est installé.
Usi previsti del prodotto: Stufa a carico manuale, per bruciare combustibili solidi (indicati nelle istruzioni), la cui funzione è riscaldare lo spazio in cui è installato.
Entended uses of the product: Stove to be loaded by hand and designed to burn solid fuels (indicated in instructions), whose function is to heat the space in which it is installed.
Utilização prevista do produto: Aquecedor de carga manual, para queimar combustíveis sólidos (indicado nas instruções), cuja função é aquecer o espaço no qual está instalado.
Vorgesehene Verwendung oder Verwendungen des Produkts: Handbeschickungsöfen zum Verbrennen von festen Brennstoffen (in der Anleitung angegeben), deren Funktion darin besteht, den Raum zu beheizen, in dem er installiert ist.
3. Nombre y dirección del fabricante: **LACUNZA KALDR GROUP S.A.L.**
 Nom et adresse du fabricant: **Pol. Ind. Ibarrea SA 31800 Alsasua (Navarra) (España)**
 Nome e indirizzo del fabbricante: **Téléfono: (0034) 948563511**
 Name and adress of the manufacturer: **Fax: (0034) 948563505**
 Nome e endereço do fabricante: **Email: comercial@lacunza.net**
 Name und Anschrift des Herstellers:
4. Sistema de evaluación y verificación de la constancia de las prestaciones: 3
 Système d'évaluation et contrôle de la constance de performance: 3
 Sistema di valutazione e verifica della costanza della prestazione: 3
 Assessment and verification system for constancy of performance: 3
 Sistema de avaliação e verificação da regularidade do desempenho: 3
 System zur Bewertung und Überprüfung der Leistungsbeständigkeit: 3
5. Organismo Notificado, Laboratoire notifié, Laboratorio notificato, Laboratory notified, Laboratório notificado, Gemeldeter Organismus:
STROJIRENSKÝ ZKUŠEBNÍ ÚSTAV, S.P.
Engineering Test Institute, Public Enterprise
Hudcova 424/56b, 621 00 Brno, Czech Republic, Notified Body 1015
 Por el sistema, Selon le system, In base al system, Based on system, Em base ao system, vom System: 3.
 Documento emitido (fecha), Numéro du rapport d'essai (date), Numero rapporto di prova (data), Test report number (date), Número relação de prova (data), Ausgestelltes Dokument (Datum): **CPR-B-01759-22 (8-11-2022)**

6. Prestaciones declaradas, Performance déclarée, Prestazioni dichiarate, Services declare, Desempenhos declarados, Deklarierte Vorteile:

Especificaciones técnicas armonizadas, Specifications techniques armonices, Specifica tecnica armonizzata, Harmonised technical specifications, Especifica técnica harmonizada, Harmonisierte technische Spezifikationen EN-13240:2001/A2:2004/AC:2006/AC:2007			
Características esenciales, Caractéristiques essentielles, Caratteristiche essenziali, Essential features, Características essenciais, Unverlässliche Eigenschaften	Prestaciones, Performance, Prestazioni, Services, Desempenho, Leistungen		
Reacción al fuego, Resistance au feu, Resistenza al fuoco, Resistance to fire, Resistenza ad fuoco, Reaction auf Feuer	Cumple, Conforme, Conforme, Compliant, Em Conformidade, Gemäß		
Distancia mínima de seguridad a materiales combustibles, Distance minimum aux matériaux combustibles, Distanza minima da materiali combustibili, Minimum distance from combustible material, Distanza minima de materiais combustíveis, Mindestsicherheitsabstand zu brennbaren Materialien	<table border="1"> <tr> <td>Izquierda, gauche, sinistra, left, esquerda, links : Derecha, droite, diritto, right, destra, rechts : Trasera, arrière, retro, back, traseira, rückseite : Delantera, avant, fronte, front, frente, vorne : Encimera, dessus, sopra, above, acima, arbeitsplatte :</td> <td>400mm 400mm 300mm 100mm 1000mm</td> </tr> </table>	Izquierda, gauche, sinistra, left, esquerda, links : Derecha, droite, diritto, right, destra, rechts : Trasera, arrière, retro, back, traseira, rückseite : Delantera, avant, fronte, front, frente, vorne : Encimera, dessus, sopra, above, acima, arbeitsplatte :	400mm 400mm 300mm 100mm 1000mm
Izquierda, gauche, sinistra, left, esquerda, links : Derecha, droite, diritto, right, destra, rechts : Trasera, arrière, retro, back, traseira, rückseite : Delantera, avant, fronte, front, frente, vorne : Encimera, dessus, sopra, above, acima, arbeitsplatte :	400mm 400mm 300mm 100mm 1000mm		
Temperatura humos a potencia térmica nominal, Température des fumées, Temperatura fumi, Fume temperature, Temperatura dos gases de combustão, Rauchtemperatur bei Nennwärmeleistung	251 °C		
Emisión, Emission, Emissione, Emissão, Emission, Ausgabe CO 10% O2	0,05 %		
Emisión, Emission, Emissione, Emissão, Emission, Ausgabe CO 10% O2	622 mg/Nm ³		
Emisión, Emission, Emissione, Emissão, Emission, Ausgabe NOx 10% O2	125 mg/Nm ³		
Emisión, Emission, Emissione, Emissão, Emission, Ausgabe OGC 10% O2	32 mg/Nm ³		
Emisión, Emission, Emissione, Emissão, Emission, Ausgabe PM 10% O2	29 mg/Nm ³		
Desprendimiento de sustancias peligrosas, Rejet de substances dangereuses, Rilascio di sostanze pericolose, Release of hazardous substances, Lançamento de substâncias perigosas, Freisetzung von Gefahrstoffen	Cumple, Conforme, Conforme, Compliant, Em Conformidade, Gemäß		
Temperatura superficial, Température de surface, Temperatura superficiale, Surface temperature, Temperatura superficial, Oberflächentemperatur	Cumple, Conforme, Conforme, Compliant, Em Conformidade, Gemäß		
Seguridad eléctrica, Sécurité électrique, Sicurezza elettrica, Electrical safety, Segurança elétrica, elektrische Sicherheit	-		
Presión máxima de servicio (galb), Pression maximale de service, Maxima pressione di esercizio, Maximum operating pressure, Máxima pressão de exercício, Maximaler Arbeitsdruck (Pfanne)	-		
Resistencia mecánica (para soportar una chimenea/un conducto de humos), Résistance mécanique (pour soutenir la cheminée), Resistenza meccanica (per supportare il camino), Mechanical strength (to support the fireplace), Resistência mecânica (para suportar a chaminé), Mechanischer Widerstand (zur Unterstützung eines Schornsteins/Abszugs)	Cumple, Conforme, Conforme, Compliant, Em Conformidade, Gemäß		
Potencia térmica ambiente, Puissance rendue au milieu, Potenza resa all'ambiente, Power output to the environment, Potência libertada ao ambiente, Umgebungswärmeleistung	13 kW		
Potencia térmica agua, Puissance rendue à l'eau, Potenza ceduta all'acqua, Power transferred to water, Potência cedida à água, Thermalität Wasser	-		
Rendimiento energético, Rendement, Rendimento, Efficiency, Atuação, Energieeffizienz	83 %		

Las prestaciones del producto identificado en el punto 1 son conformes con las prestaciones declaradas en el punto 6.
 La performance du produit cité au point 1 est conforme à la performance déclarée au point 6.
 La prestazione del prodotto di cui al punto 1 è conforme alla prestazione dichiarata di cui al punto 6.
 The performance of the product referred to in point 1 is consistent with the declared performance in point 6.
 As declarações do produto identificado no ponto 1, estão conformes com as prestações declaradas no ponto 6.
 Die Leistung des in Nummer 1 genannten Produkts entspricht der in Nummer 6 angegebenen Leistung.

La presente declaración de prestaciones se emite bajo la única responsabilidad del fabricante, indicado en el punto 3.
 Cette déclaration de performance est délivrée sous la responsabilité exclusive du fabricant cité au point 3.
 Si rilascio la presente dichiarazione di prestazione sotto la responsabilità esclusiva del fabbricante di cui al punto 3.
 This declaration of performance is issued under the manufacturer's sole responsibility referred to in point 3.
 É emitida a presente declaração de desempenho sob a responsabilidade exclusiva do fabricante referido no ponto 3.
 Diese Leistungserklärung wird in alleiniger Verantwortung des Herstellers ausgestellt, wie in Punkt 3 angegeben.



José Julián García de la Piedad
 Director Gerente

Alsasua 15-12-2022

DECLARACIÓN DE PRESTACIONES

Conforme al R. E. Productos Construcción (UE) N.º 305/2011

DECLARATION OF PERFORMANCE

Selon le Règlement (UE) N.º 305/2011

DECLARATION OF PERFORMANCE

According to Regulation (EU) N.º 305/2011

DICHIARAZIONE DI PRESTAZIONE

In base al Regolamento (UE) N.º 305/2011

DECLARAÇÃO DE PRESTAÇÕES

Em base com o Regulamento (UE) N.º 305/2011

LEISTUNGSERKLÄRUNG

Gemäß R. T. Bauprodukte (EU) Nr. 305/2011

1 Código de identificación única del producto tipo: Code d'identification unique du produit type Unique identification code of the product type Codice di identificazione unico del prodotto-tipo: Código de identificação único do produto-tipo: Eindeutiger Kenncode des Produkttyps:	CALAIS
2 Usos previstos: Usage(s) prévis(s): Verwendung: Usi previsti: Utilização(ões) prevista(s): Verwendungszweck(e):	Estufa de calefacción residencial, alimentada con combustibles sólidos. Poêles de chauffage domestiques à combustible solide. Residential solid fuel burning Roomheaters. Stufa di riscaldamento domestici a combustibile solido. Fogão de aquecimento residencial, alimentado por combustíveis sólidos. Häusliche Raumheizer für feste Brennstoffe.
3 Fabricante: Fabricant: Manufacturer:	Fabricante: Fabricant: Hersteller: LACUNZA KALOR GROUP S.A.L. Pol. Ind. Ibarra 5A 31800 Alsasua (Navarra) (Spain) T. (0034) 948563511 comen.la@lacunza.net www.lacunza.net
5 Sistemas de evaluación y verificación de la constancia de las prestaciones (EVCP): Système(s) d'évaluation et de vérification de la constance des performances: System(s) of AVCP:	Sistemi di VVCP: Sistema(s) de avaliação e verificação da regularidade do desempenho (AVCP): System zur Bewertung und Überprüfung der Leistungsbeständigkeit: 3
6a Norma armonizada: Norme harmonisée: Harmonised standard:	Norma armonizzata: Norma harmonizada: Harmonised Norm: EN-16510-2-1 (2022)
6b Organismos notificados: Organisme(s) notifié(s): Notified body/ies:	Organismi notificati: Organismo(s) notificado(s): Notifizierte Stelle(n): CE15 N.º NR0722 Centro de ensayos, innovación y servicios Cr. Villavieja de Odón a Mostoles (M-856) Km 1.5 Mostoles 28935

7	Características esenciales Caractéristiques essentielles Essential features	Caratteristiche essenziali Caracteristicas esenciales Unerlässliche Eigenschaften	Prestaciones declaradas: Performances déclarées(s) Declared performance/s/	Prestazioni dichiarate: Desempenho(s) declarado(s) Erklärte Leistung(en)																
	Capacidad para soportar carga Capacité de chargement Load bearing capacity	Capacità di carico Capacidade de carga Tragfähigkeit	NPD																	
	Protección de materiales combustibles Protection des matériaux combustibles Protection of combustible materials	Protezione dei materiali combustibili Proteção de materiais combustíveis Schutz brennbare Materialien																		
			<table border="1"> <tr><td>dS =</td><td>350 mm</td><td>dL =</td><td>0 mm</td></tr> <tr><td>dC =</td><td>350 mm</td><td>dC =</td><td>600 mm</td></tr> <tr><td>dR =</td><td>150 mm</td><td>dR =</td><td>0 mm</td></tr> <tr><td>dP =</td><td>1500 mm</td><td>dP =</td><td>0 mm</td></tr> </table>	dS =	350 mm	dL =	0 mm	dC =	350 mm	dC =	600 mm	dR =	150 mm	dR =	0 mm	dP =	1500 mm	dP =	0 mm	
dS =	350 mm	dL =	0 mm																	
dC =	350 mm	dC =	600 mm																	
dR =	150 mm	dR =	0 mm																	
dP =	1500 mm	dP =	0 mm																	
	Prestación Declarada a Potencia Calorífica: Performances déclarée à la puissance thermique: Declared Performance or Heating Power: Prestazioni dichiarate alla potenza termica: Desempenho declarado na potência de aquecimento: Angegabene Leistung bei:		A	B																
	Emisión, Émission, Emission, Emissione, Emissão, Emission CO_{max} (13%O ₂) / CO_{part} (13%O ₂)		A 1124 mg/m ³	B NPD																
	Emisión, Émission, Emission, Emissione, Emissão, Emission NO_{xmax} (13%O ₂) / NO_{xpart} (13%O ₂)		A 122 mg/m ³	B NPD																
	Emisión, Émission, Emission, Emissione, Emissão, Emission OGCO_{max} (13%O ₂) / OGCO_{part} (13%O ₂)		A 26 mg/m ³	B NPD																
	Emisión, Émission, Emission, Emissione, Emissão, Emission PM_{max} (13%O ₂) / PM_{part} (13%O ₂)		A 6 mg/m ³	B NPD																
	Temperatura de salida de gases de combustión (T_{Snom}/T_{Spart}) Température de sortie des gaz de combustion (T _{Snom} /T _{Spart}) Combustion gas outlet temperature (T _{Snom} /T _{Spart}) Temperatura usrita gas di combustione (T_{Snom}/T_{Spart}) Temperatura de saída do gás de combustão (T _{Snom} /T _{Spart}) Verbrennungsgasaustrittstemperatur (T _{Snom} /T _{Spart})		A 251 °C	B NPD																
	Tiro mínimo (P_{nom}/P_{part}) Tirage minimum (P _{nom} /P _{part}) Depressione minima (P_{nom}/P_{part}) Minimum depression (P _{nom} /P _{part}) Minimale depression (P _{nom} /P _{part})		A 12 Pa	B NPD																
	Caudal máxico de los gases de combustión (ḡ_{g,com}/ḡ_{g,part}) Débit maxique des gaz de combustion (ḡ _{g,com} /ḡ _{g,part}) Mass flow rate of combustion gases (ḡ_{g,com}/ḡ_{g,part}) Portata máxica del gas di combustione (ḡ_{g,com}/ḡ_{g,part}) Taxa de fluxo de massa de gases de combustão (ḡ _{g,com} /ḡ _{g,part}) Massenstrom der Verbrennungsgase (ḡ _{g,com} /ḡ _{g,part})		A 5,7 g/s	B NPD																
	Seguridad contra incendios de instalaciones en una chimenea (T_{class}) Sécurité incendie des installations dans une cheminée (T _{class}) Fire safety of installations in a chimney (T_{class}) Sicurezza antincendio delle installazioni (T_{class}) Segurança contra incêndio de instalações com chaminé (T _{class}) Brandschutz von Anlagen in einem Schornstein (T _{class})		T400																	

Potencia de calefacción (P_{nom}/P_{part}) Puissance de chauffe (P _{nom} /P _{part}) Heating power (P _{nom} /P _{part})	Potencia de riscaldamento (P_{nom}/P_{part}) Potência de aquecimento (P _{nom} /P _{part}) Heizleistung (P _{nom} /P _{part})	A	6,4 kW	B	NPD
Potencia de calentamiento de agua (P_{Wnom}/P_{Wpart}) Puissance de chauffage de l'eau (P _{Wnom} /P _{Wpart}) Water heating power (P _{Wnom} /P _{Wpart})		A	NPD	B	NPD
Potencia de riscaldamento del'acqua (P_{Wnom}/P_{Wpart}) Potência de aquecimento (P _{Wnom} /P _{Wpart}) Wasserheizleistung (P _{Wnom} /P _{Wpart})					
Efficiencia (η_{nom}/η_{part}) Efficacité (η _{nom} /η _{part}) Efficiency (η _{nom} /η _{part})	Efficiencia (η_{nom}/η_{part}) Eficiência (η _{nom} /η _{part}) Effizienz (η _{nom} /η _{part})	A	81 %	B	NPD
Efficiencia de calefacción estacional (η_s) Efficacité de chauffage saisonnier (η _s) Seasonal heating efficiency (η _s)	Efficiencia térmica estacional (η_s) Eficiência de aquecimento sazonal (η _s) Saisonale Heizeffizienz (η _s)		71		
Índice eficiencia energética (EEI) Índice d'efficacité énergétique (EEI) Energy efficiency index (EEI)	Índice di efficienza energetica (EEI) Índice de eficiência energética (EEI) Energieeffizienzindex (EEI)		107		
Clase Classe Class	Clase Classe Klasse		A+		
Consumo de energía eléctrica (e_{lmix} / e_{lmix}) Consommation d'énergie électrique (e _{lmix} / e _{lmix}) Electrical energy consumption (e _{lmix} / e _{lmix})	Consumo di energia elettrica (e_{lmix} / e_{lmix}) Consumo de energia elétrica (e _{lmix} / e _{lmix}) Elektrischer Energieverbrauch (e _{lmix} / e _{lmix})	A	NPD	B	NPD
Consumo de energía modo espera (e_{sb}) Consommation d'énergie en veille (e _{sb}) Standby power consumption (e _{sb})	Consumo energético in standby (e_{sb}) Consumo de energia em espera (e _{sb}) Standby-Stromverbrauch (e _{sb})		NPD		
Sostenibilidad medioambiental La durabilité environnementale Environmental sustainability	Sostenibilità ambientale Sustentabilidade ambiental Umweltverträglichkeit				

Las prestaciones del producto identificado anteriormente son conformes con el conjunto de las prestaciones declaradas.
 Les performances du produit identifié ci-dessus sont conformes à toutes les performances déclarées.
 The performances of the product identified above are in accordance with all the declared performances.

Le prestazioni del prodotto sopra identificato sono conformi a tutte le prestazioni dichiarate.
 Os desempenhos do produto acima identificados estão de acordo com todos os desempenhos declarados.
 Die oben genannten Leistungen des Produkts entsprechen allen erklärten Leistungen.

La presente declaración de prestaciones se emite, de conformidad con el Reglamento (UE) n.º 305/2011, bajo la sola responsabilidad del fabricante arriba identificado.
 Cette déclaration des performances est établie, conformément au Règlement (UE) n.º 305/2011, sous la seule responsabilité du fabricant identifié ci-dessus.
 This declaration of performance is issued, in accordance with Regulation (EU) No. 305/2011, under the sole responsibility of the manufacturer identified above.

La presente dichiarazione di prestazione viene rilasciata, in conformità al Regolamento (UE) n. 305/2011, sotto la responsabilità esclusiva del produttore sopra identificato.
 Esta declaração de desempenho é emitida, de acordo com o Regulamento (UE) n.º 305/2011, sob a exclusiva responsabilidade do fabricante acima identificado.
 Die Erstellung dieser Leistungserklärung erfolgt gemäß Verordnung (EU) Nr. 305/2011 in alleiniger Verantwortung des oben genannten Herstellers.



LACUNZA KALOR GROUPS S.L.L.
 Pol. Ind. Ibama 5A 31800
 Alsua (Navarra) (Spain)
 T. (0034) 948563511
 comercial@lacunza.net
 www.lacunza.net

Firmado por y en nombre del fabricante por:
 Signé pour le fabricant et en son nom par:
 Signed for and on behalf of the manufacturer by:
Firmato a nome e per conto del fabbricante da:
 Assinado por e em nome do fabricante por:
 Unterzeichnet für den Hersteller und im Namen des Herstellers von:


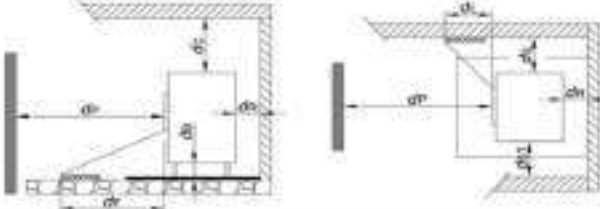


Igor Ruiz de Alegria
 Director Gerente de Negocio

ALSASUA (Navarra, Spain) a 18/07/2025

9. CE MARK

	LACUNZA KALOR GROUP S.A.L. Pol. Ind. Ibarrea 5A 31800 Alsasua (Navarra) (Spain)	
	Número, Nombre, Numero, Number, Número, Nummer: ES-S-050	
Marca, marque, marca, mark, marca, markierung: Lacunza Tipo, type, tipo, type, tipo, nett: Estufa, Poêle, Stufa, Stove, Aquecedor, Holzofen Modelo, modèle, modello, model, modelo, modell: DOVER		Organismo notificado, Laboratoire notifié, Laboratório notificado, Laboratory notified, Laboratorio notificado, Notifizierter Organismus: SZU N°1015
Aparato Tipo, Type d'appareil, Tipo di apparecchio, Apparatustype, Tipo de aparelho, Gerätetyp: BE		
Estufa de carga manual, para quemar combustibles sólidos (indicado en instrucciones), cuya función es calentar el espacio en el que está instalada. Funcionamiento intermitente. Para conducto humos no compartido. Poêle qui se charge manuellement, conçu pour brûler des combustibles solides (indiqués dans Manuel d'Instructions), dont la fonction est de chauffer l'espace où il est installé. Fonctionnement intermittent. Pour conduit non partagé. Stufa a carico manuale, per bruciare combustibili solidi (indicati nelle istruzioni), la cui funzione è riscaldare lo spazio in cui è installato. Funzionamento intermittente. Per condotto non condiviso. Stove to be loaded by hand and designed to burn solid fuels (indicated in instructions), whose function is to heat the space in which it is installed. Intermittent operation. For non-shared conduit. Aquecedor de carga manual, para queimar combustíveis sólidos (indicado nas instruções), cuja função é aquecer o espaço no qual está instalado. Operação intermitente. Para conduto não compartilhado. Manueller Beschickungs-ofen zum Verbrennen von festen Brennstoffen (in der Anleitung angegeben), dessen Funktion darin besteht, den Raum zu erwärmen, in dem er installiert ist. Intermittierender Betrieb. Für nicht geteilten Rauchkanal.		
EN13240:2001/A2:2004/AC:2007		
Características esenciales, Caractéristiques essentielles, Caratteristiche essenziali, Essential features, Características essenciais, unerlässliche Eigenschaften		Prestaciones, Performance, Prestazione, Services, Desempenho, Leistungen
Resistencia al fuego, Resistance au feu, Resistenza al fuoco, Resistance to fire, Resistenza ao fogo, Reaktion auf Feuer		Cumple, Conforme, Conforme, Compliant, Em Conformidade, Gemäß
Distancia mínima de seguridad a materiales combustibles, Distance minimum aux matériaux combustibles, Distanza mínima de materiais combustíveis, Minimum distance from combustible material, Distanca mínimo de materiais combustíveis, Mindestsicherheitsabstand zu brennbaren Materialien	Izquierda, gauche, sinistra, left, esquerda, links: 400mm Derecha, droite, diritto, right, direito, rechts: 400mm Trasera, arrière, retro, back, traseira, rückseite: 300mm Delantera, avant, fronte, front, frente, vome: 1100mm Encimera, dessus, sopra, above, acima, arbeitsplatte: 1000mm	
Temperatura humos a potencia térmica nominal, Température des fumées, Temperatura fumi, Flame temperature, Temperatura dos gases de combustão, Rauchtemperatur bei Nennwärmeleistung		251 °C
Emisión, Emission, Emissione, Emissão, Emission Ausgabe, CO 13% O2		0,05 %
Emisión, Emission, Emissione, Emissão, Emission Ausgabe, CO 13% O2		622 mg/Nm ³
Emisión, Emission, Emissione, Emissão, Emission, Ausgabe, MOx 13% O2		125 mg/Nm ³
Emisión, Emission, Emissione, Emissão, Emission, Ausgabe, SO2 13% O2		132 mg/Nm ³
Emisión, Emission, Emissione, Emissão, Emission, Ausgabe, PM 13% O2		29 mg/Nm ³
Desprendimiento de sustancias peligrosas, Réjet de substances dangereuses, Rilascio di sostanze pericolose, Release of hazardous substances, Lançamento de substâncias perigosas, Freisetzung von Gefahrstoffen		Cumple, Conforme, Conforme, Compliant, Em Conformidade, Gemäß
Temperatura superficial, Température de surface, Temperatura superficial, Surface temperature, Temperatura superficial, Oberflächentemperatur		Cumple, Conforme, Conforme, Compliant, Em Conformidade, Gemäß
Seguridad eléctrica, Sécurité électrique, Sicurezza elettrica, Electrical safety, Segurança elétrica, Elektrische Sicherheit		-
Resistencia mecánica (para soportar una chimenea/un conducto de humos), Résistance mécanique (pour soutenir la cheminée), Resistenza meccanica (per supportare il camino), Mechanical strength (to support the fireplace), Resistência mecânica (para suportar a chaminé), Mechanischer Widerstand (zur Unterbreitung eines Schornsteins/Abzugs)		Cumple, Conforme, Conforme, Compliant, Em Conformidade, Gemäß
Potencia térmica ambiente, Potência térmica ao ar livre, Potenza resa all'ambiente, Power output to the environment, Potência libertada no ambiente, Umgebungswärmeleistung		13 kW
Potencia térmica agua, Potência e rendue à l'eau, Potenza ceduta all'acqua, Power transferred to water, Potência cedida à água, Thermalkraft Wasser		-
Rendimiento energético, Rendement, Rendimento, Efficiency, Aqueça, Energieeffizienz		83 %

 25	LACUNZA KALOR GROUP S.A.L. Pol. Ind. Ibarrea 5A 31800 Alsasua (Navarra) (Spain) www.lacunza.net	
	DoP: ES-S-050	EN 16510-2-1 (2022)
Marca, Marque, Mark, Marca, Marca, Markierung: LACUNZA Tipo, Type, Type, Tipo, Tipo, Nett: Estufa, Poêle, Stufa, Stove, Aquecedor, Holzofen Modelo, Modèle, Model, Modello, Modelo, Modell: CALAIS		
Organismo notificado: Organisme notifié: Notified body: Organismi notificati: Organismo notifikováno: Notifizierete Stelle: CEIS N° 1722		
Aparato Tipo, Type d'appareil, Apparatus Type, Tipo di apparecchio, Tipo de aparelho, Gerätetyp: BE		
Estufa de calefacción residencial, alimentada con combustibles sólidos. Poêles de chauffage domestiques à combustible solide. Residential solid fuel burning Roomheaters. Stufa di riscaldamento domestici a combustibile solido. Fogão de aquecimento residencial, alimentado por combustíveis sólidos. Häusliche Raumheizer für feste Brennstoffe.		
Características esenciales, Caractéristiques essentielles, Essential features, Caratteristiche essenziali, Características essenciais, Unerlässliche Eigenschaften		Prestaciones, Performance, Prestazione, Services, Desempenho, Leistungen
Capacidad para soportar carga, Capacité de chargement, Load bearing capacity, Capacità di carico, Capacidade de carga, Tragfähigkeit		NPD
Protección de materiales combustibles: Protection des matériaux combustibles, Protection of combustible materials, Protezione dei materiali combustibili, Proteção de materiais combustíveis, Schutz brennbarer Materialien		dS = 350mm dS1 = 350mm dR = 150mm dP = 1500mm dL = 0mm dC = 600mm dF = 0mm dB = 0mm
		
Prestación Declarada a Potencia Calorífica: Performance déclarée à la puissance thermique: Declared Performance at Heating Power: Prestazioni dichiarate alla potenza termica: Desempenho declarado na potência de aquecimento: Angegebene Leistung bei		Nominal Nominale Nominale Nominale Nominal Nennleistung
Emisión: Émission: Emission, Emissione, Emissão: Emission CO_{nom} (13%O₂) / CO_{part} (13%O₂)		A carga parcial A charge partielle At partial load A carico parziale Com carga parcial Teiled-Heizleistung
Emisión: Émission: Emission, Emissione, Emissão: Emission NO_{xnom} (13%O₂)/NO_{xpart} (13%O₂)		
Emisión: Émission: Emission, Emissione, Emissão: Emission CO_{nom} (13%O₂)/CO_{part} (13%O₂)		
Emisión: Émission: Emission, Emissione, Emissão: Emission PM_{nom} (13%O₂) / PM_{part} (13%O₂)		
Temperatura de salida de gases de combustión, Temperature de sortie des gaz de combustion, Combustion gas outlet temperature, Temperatura uscita gas di combustione, Temperatura de saída do gás de combustão, Verbrennungsgasaustrittstemperatur: (T_{Snom}/T_{Spart})		
Tiro mínimo, Tirage minimum, Minimum depression, Depressione minima, Depressão mínima, Minimale depression (P_{nom}/P_{part})		
Caudal máxico de los gases de combustión, Débit massique des gaz de combustion, Mass flow rate of combustion gases, Portata máxica dei gas di combustione, Taxa de fluxo de massa de gases de combustão, Massestrom der Verbrennungsgase (D_f,g_{nom}/D_f,g_{part})		
Seguridad contra incendios de instalaciones en una chimenea, Sécurité incendie des installations dans une cheminée, Fire safety of installations in a chimney, Sicurezza ant incendio delle installazioni, Segurança contra incendio de instalações em chaminé, Brandschutz von Anlagen in einem Schornstein (Tclass)		T400
Potencia de calefacción, Puissance de chauffe, Heating power, Potenza di riscaldamento, Potência de aquecimento, Heizleistung (P_{nom}/P_{part})		6,4 kW
Potencia de calentamiento de agua, Puissance de chauffage de l'eau, Water heating power, Potenza di riscaldamento dell'acqua, Potência de aquecimento, Wärmehizleistung (P_{Wnom}/P_{Wpart})		
Eficiencia, Efficacité, Efficiency, Effizienz, Efficiencia, Effizienz (η_{nom}/η_{part})		81 %
Eficiencia de calefacción estacional, Efficacité du chauffage saisonnier, Seasonal heating efficiency, Efficienza térmica stagionale, Eficiência de aquecimento sazonal, Saisonale Heizeffizienz (η_s)		71 %
Índice eficiencia energética, Índice d'efficacité énergétique, Energy efficiency index, Índice di efficienza energética, Índice de eficiência energética, Energieeffizienzindex (EEI)		107
Class, Classe, Class, Classe, Klasse		A+
Consumo de energía eléctrica, Consommation d'énergie électrique, Electrical energy consumption, Consumo di energia elettrica, Consumo de energia elétrica, Elektrischer Energieverbrauch (el_{mix} / el_{min})		
Consumo de energía modo espera, Consommation d'énergie en veille, Standby power consumption, Consumo energético in standby, Consumo de energia em espera, Standby-Stromverbrauch (el_{sb})		

LACUNZA KALOR GROUP S.A.L

Pol. Ind. Ibarrea 5A

31800 Alsasua (Navarra) Spain

Tel.: (00 34) 948 56 35 11

Fax.: (00 34) 948 56 35 05

e-mail: comercial@lacunza.net

Website: www.lacunza.net

EDITION: 07

